

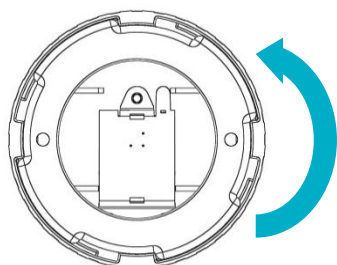
# INTRODUCING THE SMALLEST ZIGBEE HOME AUTOMATION DEVICES IN THE WORLD



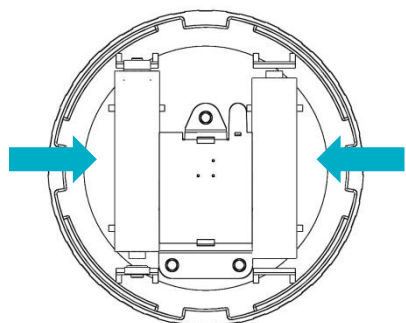
**NYCE  
CONTROL**

## How to Install a NYCE Control Ceiling Motion Sensor

### STEP 1: INSTALL BATTERIES

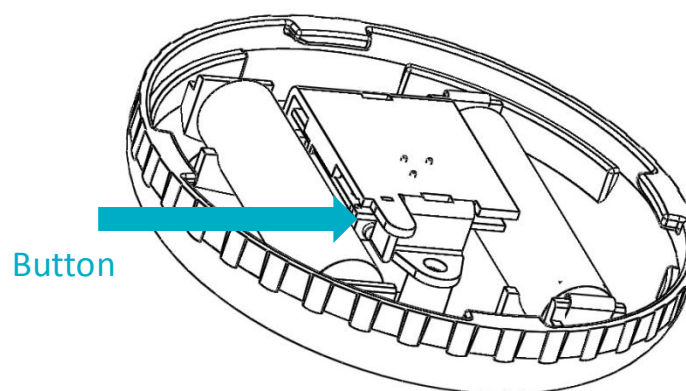


Remove the Mounting Plate by rotating the Housing counter-clockwise as shown.



Install the two AAA batteries in the Sensor Housing with polarity as shown.

### STEP 2: INSTALL DRIVER + IDENTIFY



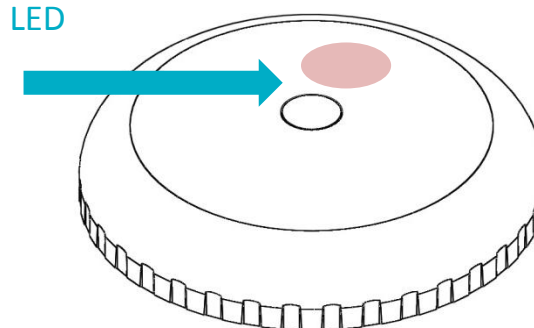
Button

Install the device's driver:

- Driver is named: [MotionSensor\\_zb\\_nyce\\_3043.c4i](#)
- Download driver from: [www.nycecontrol.com/support](http://www.nycecontrol.com/support) or from Control4's online database
- Copy the driver to My Documents\Control4\Drivers
- Open Composer and add the device to the project (Manufacturer = "Nyce Control")
- Identify the Sensor by pressing the button 4 times while its identify window is open.
- The Sensor's 64-bit address should appear in the identify window's text box.

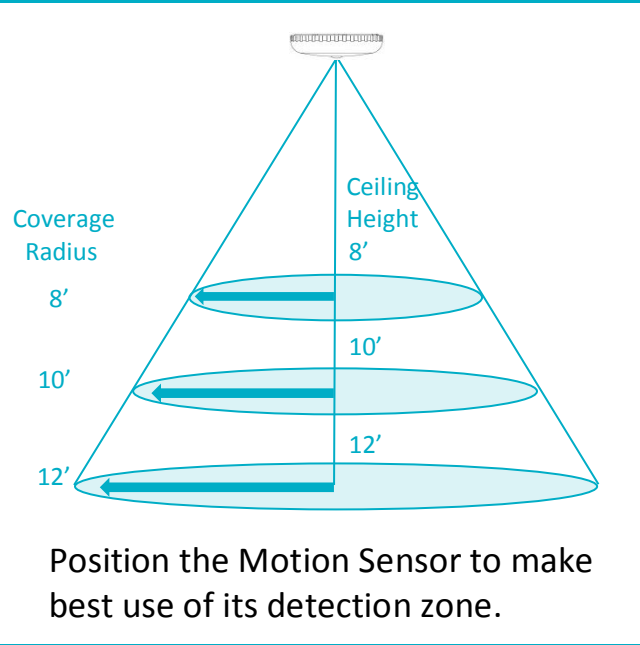
### STEP 3: VERIFY THE SENSOR

LED

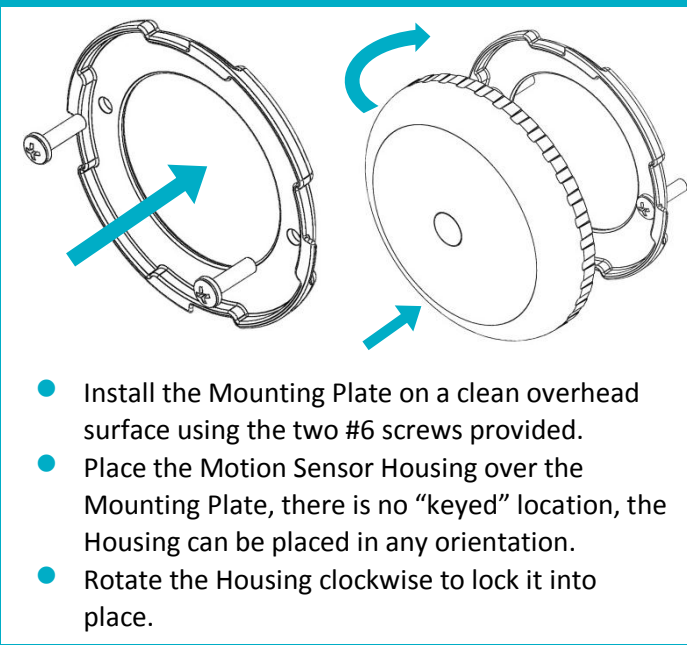


- Verify the device is sensing motion.
- The LED should flash red through the Housing and motion should be indicated in Navigator's and Composer's List View.

## STEP 4: PLACEMENT GUIDELINES



## STEP 5: INSTALL MOTION SENSOR



## READING & WRITING ATTRIBUTES

### To Read:

- In Composer, under the Actions tab, click on the Read Attributes.
- Wake up the device with a double button press.
- Check updated attribute value under the Properties tab. The Attributes Status field should read: “Attributes are up to date”.

### To Write:

- In Composer, change the attribute value (4-65534 seconds) under the Properties tab and click Set.
- Under the Actions tab, click on Write Attributes.
- Wake up the device with a double button press.
- Check the Occupancy Attributes Status. It should read: “Attributes are up to date”.

## PRODUCT FUNCTION + LED INDICATORS

Button Press	LED w/Press	Action	LED Action	Description
2 Times	● ●	Network Status	● ● ● ●	Not Joined Joined
4 Times	● ● ● ●	Network Join	● ● ● ●	Join Successful Join Unsuccessful
6 Times	● ● ● ● ● ●	Network Leave	● ●	Leave Successful
10 Times	● ● ● ● ● ● ● ● ● ● ● ●	Restore Defaults	● ● ● ● ● ● ● ●	Leave (if joined) and Defaults Restored
		No Action	● ● ● ● ● ●	Unsupported Command Network Error, retry Device Busy
		Normal Operation	●	Motion Detected

## BUTTON AND LED LOCATIONS

